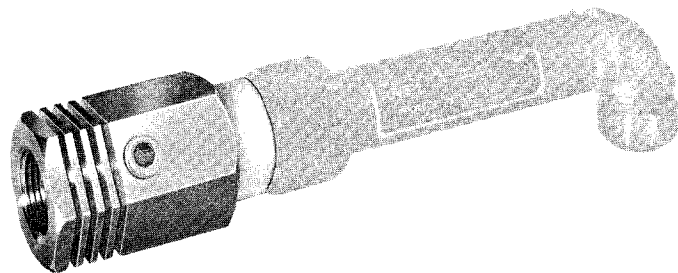


ECLIPSE HEAT BLOCK SEAL

SERIES "HBS"



The Eclipse Heat Block Seal is designed to protect ultraviolet flame scanners by sealing them from hot combustion gases and insulating them from heat transferred through the scanner pipe. The assembly is capable of withstanding scanner pipe temperatures up to 550° F. without component breakdown. Note: Manufacturers' ambient temperature limits for the scanner still apply. The Eclipse Heat Block Seal assembly is capable of providing a gas tight seal up to 25 psi.

The air purge fitting is made from aluminum and is female threaded, 3/4" NPT, to fit the burner scanner pipe. The fins aid in dissipating some of the conducted heat from the burner. The 1/4" NPT purge connection is provided so that air may be piped through the scanner pipe. The purge air not only provides cooling, but also helps to minimize nuisance shutdowns by

purging excessive moisture, oil vapors, or process residues that can obscure the scanner's view of the flame. The scanner pipe must be cleared of foreign material *prior* to Heat Block Seal installation.

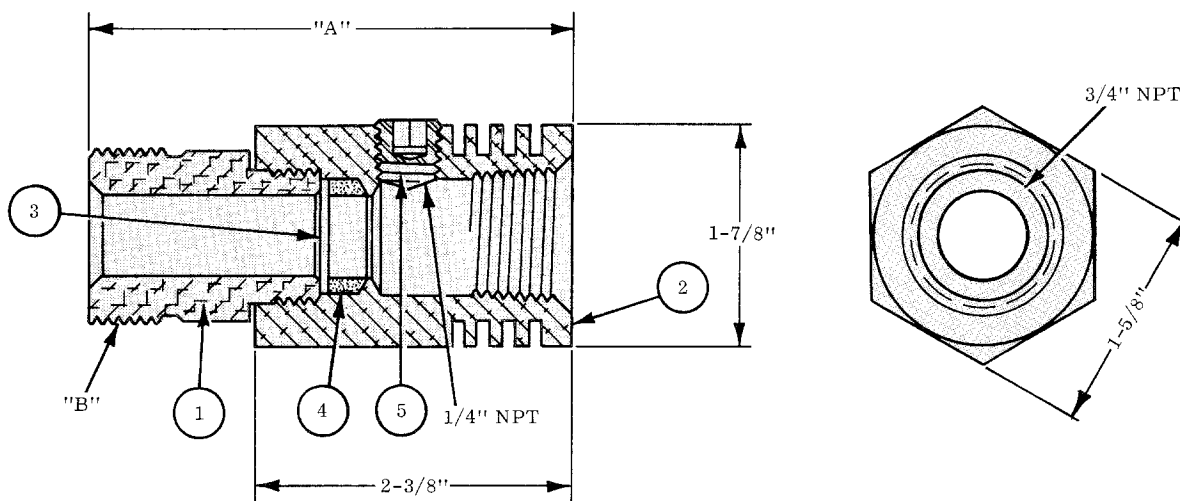
Generally speaking, purge air is required when one or more of the following conditions exists or is anticipated: (1) scanner pipe temperature exceeds 550° F., (2) there is potential for moisture condensation that may obscure scanner flame sensing; (3) operation of combination gas/oil burner(s) with no other purge system for clearing scanner pipe.

The amount of purge air required will vary depending on burner model, application involved, operating conditions, etc. Under no circumstances should the purge air pressure be allowed to alter the flame characteristics of the burner or pilot. Eclipse can supply a 1/4" Adjustable Gas Cock when purge air flow control is needed.

A steel pipe plug is included in the assembly when a purge system is not needed.

The insulated adapter is manufactured from teflon and is male threaded to accommodate three scanner sizes, 1/2", 3/4", and 1" NPT. It serves as an insulating stand-off preventing direct scanner contact with the heated purge fitting.

DIMENSIONS AND SPECIFICATIONS



CAT. NO.	ASS'Y. NO.	"A"	"B" NPT
23 HBS	400011	3-5/16"	1/2"
33 HBS	400010	3-7/16"	3/4"
43 HBS	400012	3-5/8"	1"

ITEM	DESCRIPTION
1	Insulated Adapter/Standoff
2	Purge Fitting
3	Quartz Lens
4	Teflon Heat Seal
5	Steel Pipe Plug



Eclipse Combustion

ISO 9001 Registered



Offered By:

Power Equipment Company
2011 Williamsburg Road
Richmond, Virginia 23231
Phone (804) 236-3800
Fax (804) 236-3882

www.peconet.com